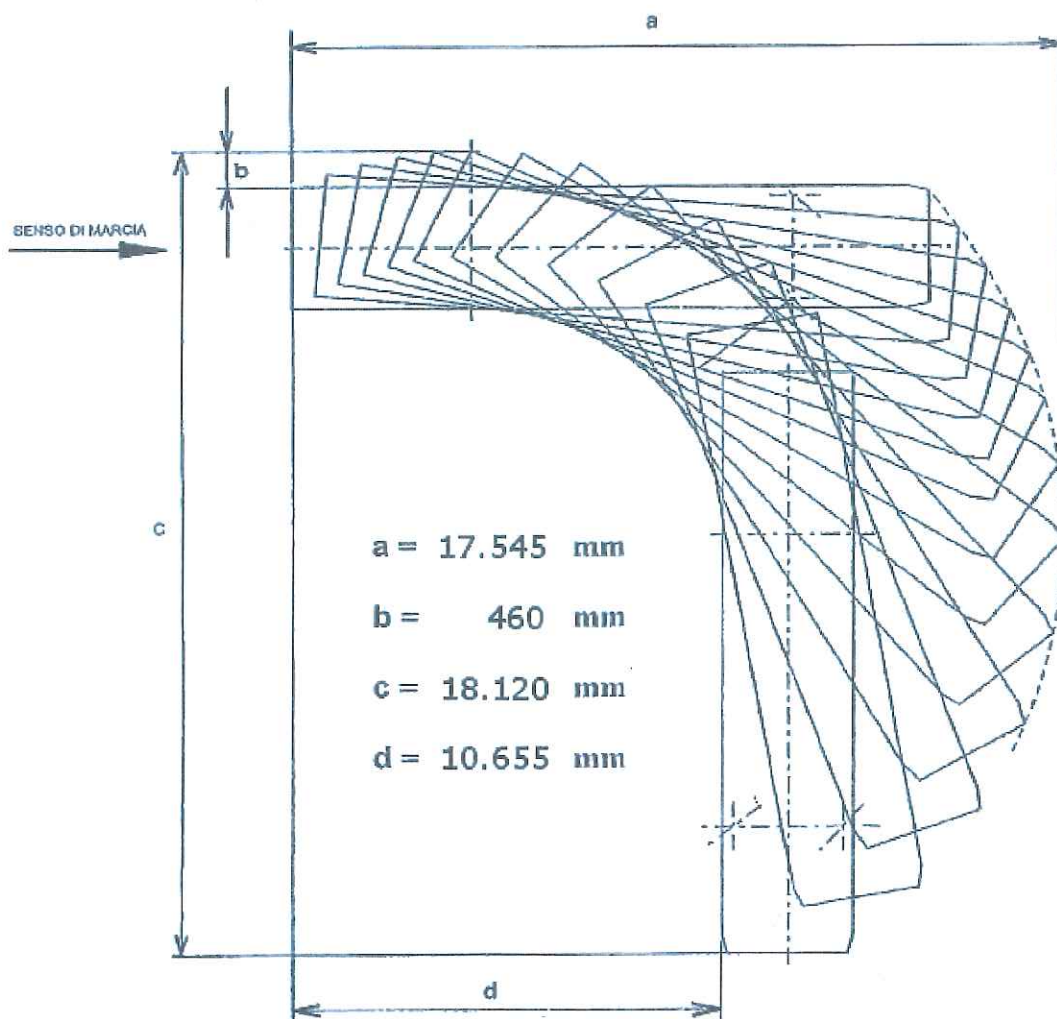


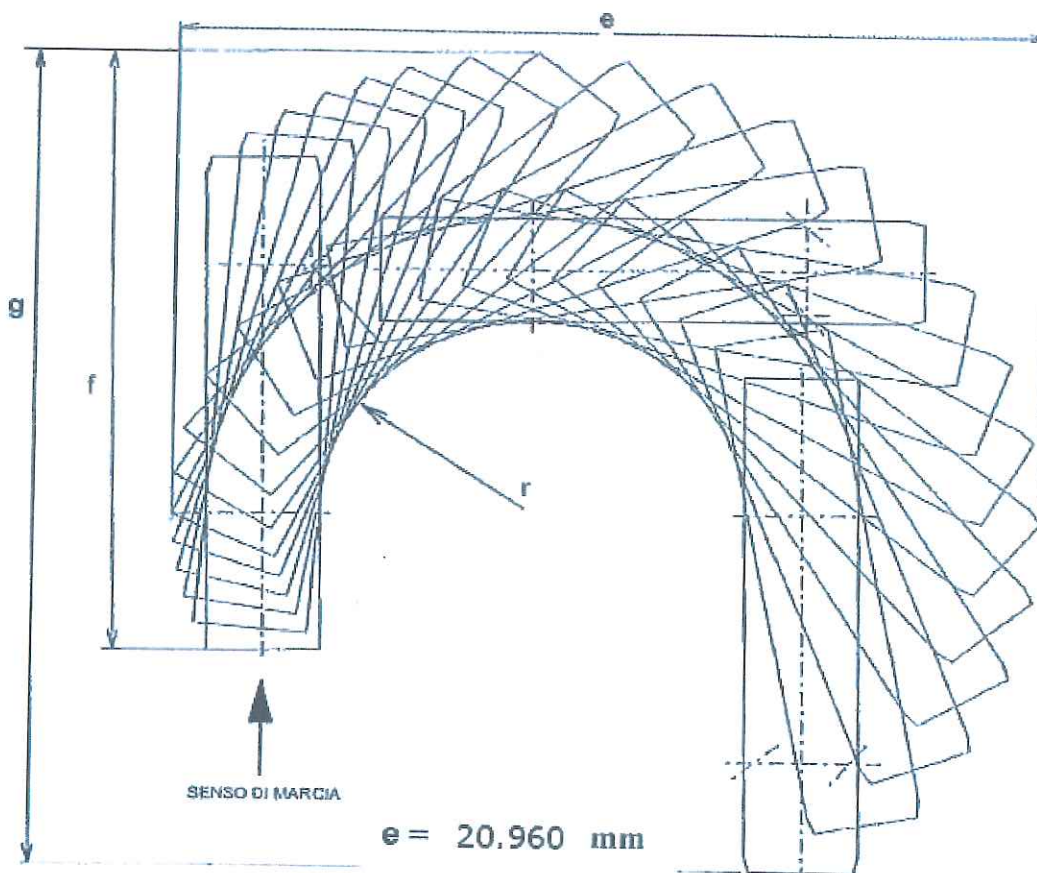
## ALLEGATO 4 – SCHEMA MANOVRA BUS 15 MT

CURVA A 90° IN MASSIMA STERZATA



## ALLEGATO 4 – SCHEMA MANOVRA BUS 15 MT

CURVA A 180 ° IN MASSIMA STERZATA

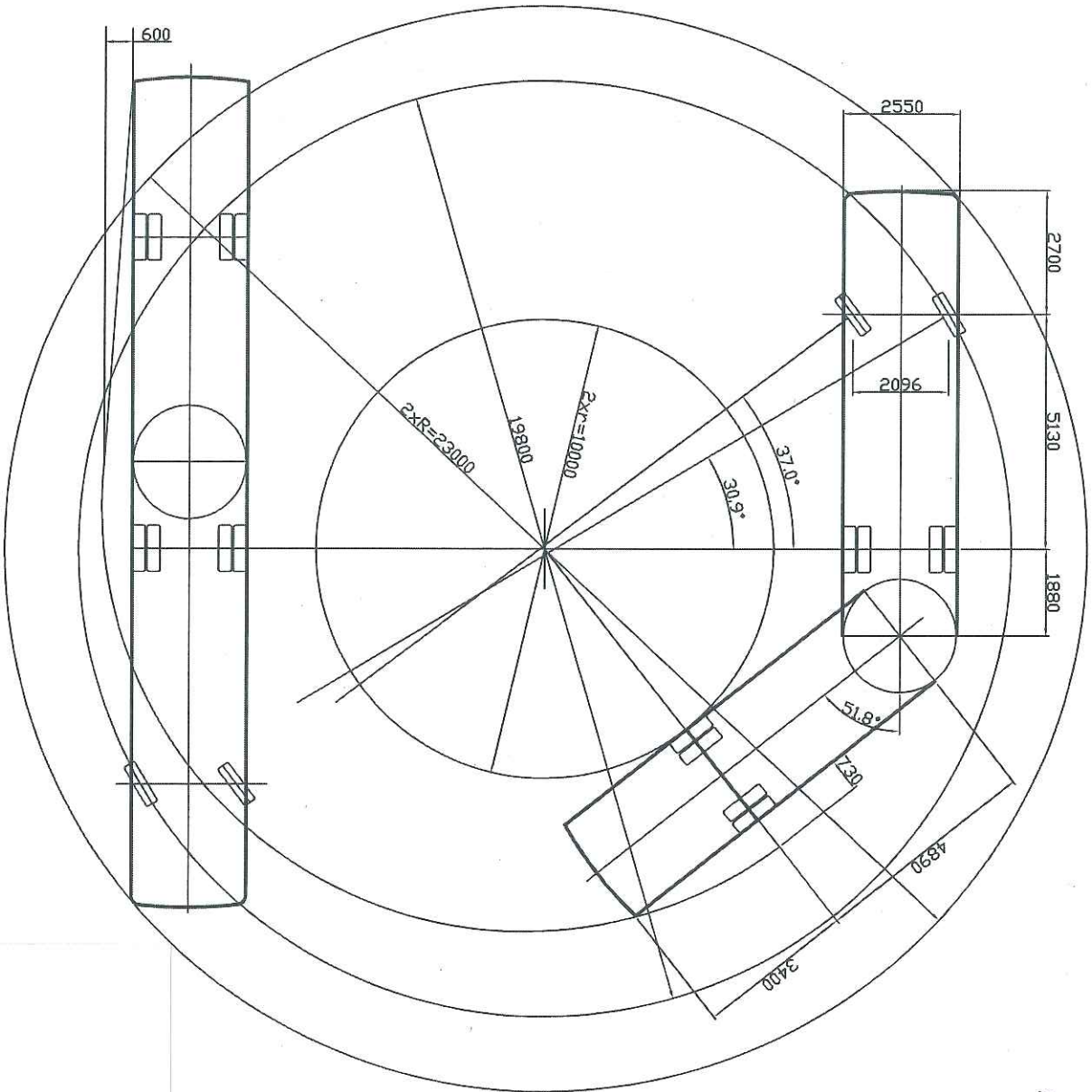


$$e = 20.960 \text{ mm}$$

$$f = 17.545 \text{ mm}$$

$$g = 22.040 \text{ mm}$$

$$r = 5.560 \text{ mm}$$



ALLEGATO 4 – SCHEMA MANOVRA BUS 18 MT